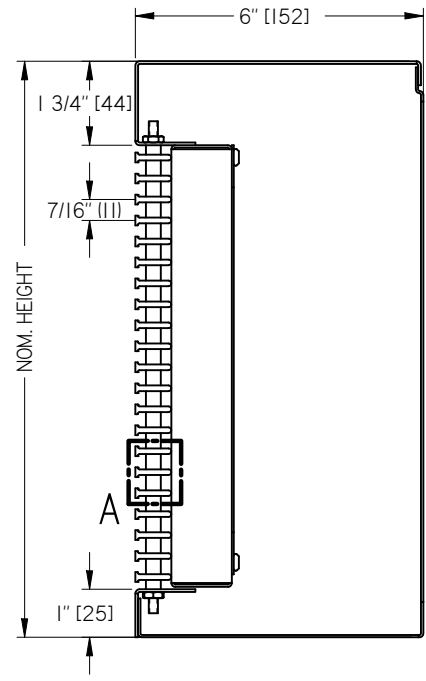
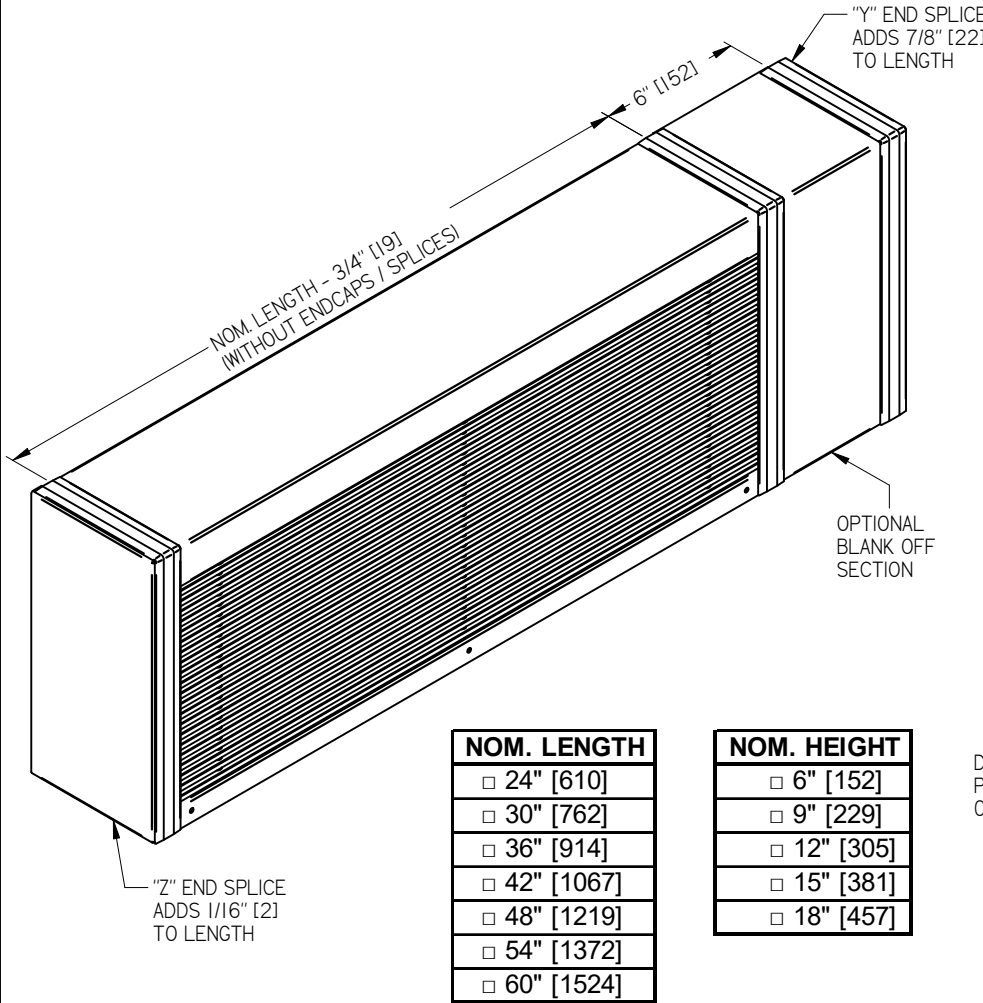
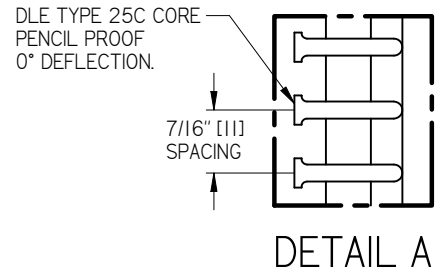


DLE - DISPLACEMENT LINEAR ENCLOSURE DIFFUSER



| NOM. LENGTH |
|-------------------------------------|
| <input type="checkbox"/> 24" [610] |
| <input type="checkbox"/> 30" [762] |
| <input type="checkbox"/> 36" [914] |
| <input type="checkbox"/> 42" [1067] |
| <input type="checkbox"/> 48" [1219] |
| <input type="checkbox"/> 54" [1372] |
| <input type="checkbox"/> 60" [1524] |

| NOM. HEIGHT |
|------------------------------------|
| <input type="checkbox"/> 6" [152] |
| <input type="checkbox"/> 9" [229] |
| <input type="checkbox"/> 12" [305] |
| <input type="checkbox"/> 15" [381] |
| <input type="checkbox"/> 18" [457] |



STANDARD CONSTRUCTION:

- TYPE 25C MANDRELLED CORE, 0° DEFLECTION, 7/16" [11] SPACING
- EXTRUDED ALUMINUM CORE BARS
- STEEL BODY
- EXTRUDED ALUMINUM SPLICES, STEEL ENDCAPS
- COATED STEEL BACK PLATE

END CONDITIONS:

- YY - OPEN END WITH SPLICES
- YZ - END CAP AND ONE SPLICE
- ZZ - CLOSED END CAPS

OPTIONS:

- DLEBS6 - 6" [152] BLANK OFF SECTION

FINISH:

- MILL FINISH BACK PLATE
- B12 WHITE (OPTIONAL FINISHES AVAILABLE)

MOUNTING:

- HOLES INCLUDED IN BACK PLATE FOR FLOOR AND WALL MOUNTING (SCREWS NOT INCLUDED)
- WALL HOOK INTEGRATED AT THE TOP OF FACE
- FACE MOUNTING HOLES (SCREWS NOT INCLUDED)

NOTES:

- FACTORY TOLERANCE +/- 1/16" [2] PER SECTION
- UNIT SHIPPED IN PIECES
- SEE INSTALLATION MANUAL ii00055 FOR SINGLE UNIT INSTALL
- SEE INSTALLATION MANUAL ii00056 FOR MULTIPLE CONTINUOUS UNIT INSTALL

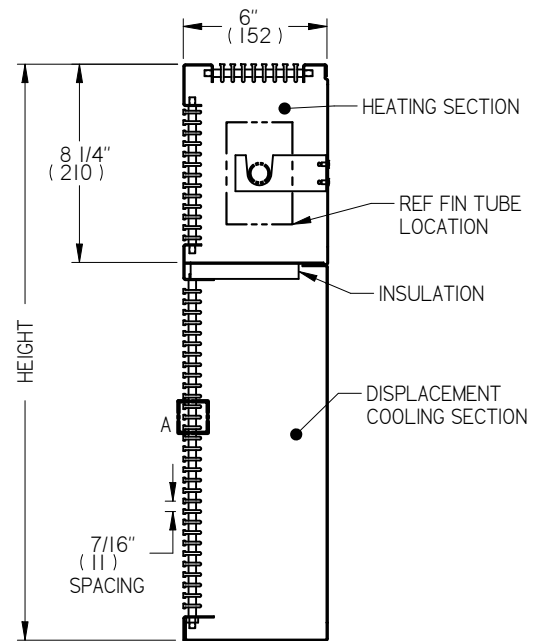
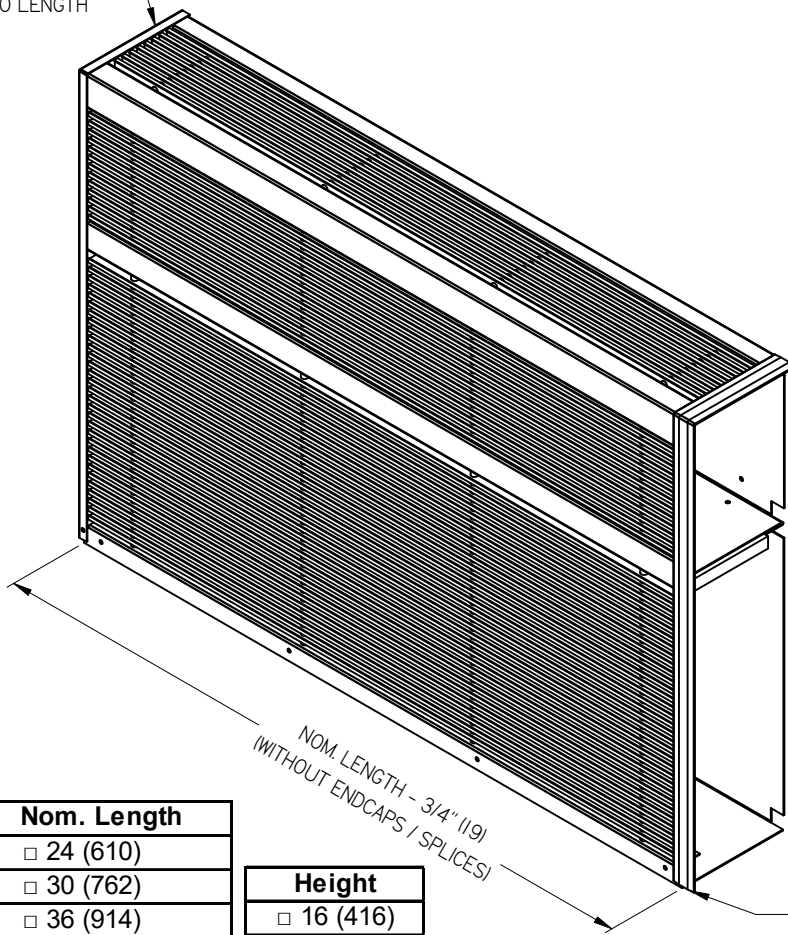
ALL METRIC DIMENSIONS () ARE SOFT CONVERTED. IMPERIAL DIMENSIONS ARE CONVERTED TO METRIC AND ROUNDED TO THE NEAREST MILLIMETER.

| | | |
|-----------------|---------------|--------------|
| PROJECT: | | PRICE |
| ENGINEER: | | |
| CUSTOMER: | | 243588 |
| SUBMITTAL DATE: | SPEC. SYMBOL: | SEPT 2016 |

**DLE
DISPLACEMENT
LINEAR ENCLOSURE**

DLE-H DISPLACEMENT LINEAR ENCLOSURE

"Z" ENDCAP
ADDS 1/16" (2)
TO LENGTH

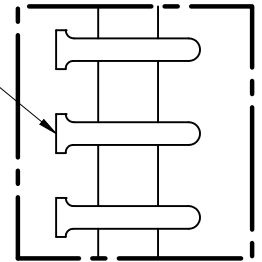


NOM. LENGTH - 3/4" (19)
(WITHOUT ENDCAPS / SPLICES)

| Nom. Length |
|------------------------------------|
| <input type="checkbox"/> 24 (610) |
| <input type="checkbox"/> 30 (762) |
| <input type="checkbox"/> 36 (914) |
| <input type="checkbox"/> 48 (1219) |
| <input type="checkbox"/> 60 (1524) |

| Height |
|-----------------------------------|
| <input type="checkbox"/> 16 (416) |
| <input type="checkbox"/> 20 (508) |
| <input type="checkbox"/> 24 (610) |

DLE TYPE 25C CORE
PENCIL PROOF
0° DEFLECTION
7/16" (11) SPACING



SPLICE FOR "Y"
END CONDITION

STANDARD CONSTRUCTION:

- MANDRELLED CORE, 0° DEFLECTION
- EXTRUDED ALUMINUM CORE BARS
- STEEL FACE FRAMES
- COATED STEEL BACK PLATE AND DIVIDER
- EXTRUDED ALUMINUM SPLICES, STEEL ENDCAPS

END CONDITIONS:

- ZZ - CLOSED ENDCAPS
- YY - OPEN ENDS WITH SPLICES
- YZ - ENDCAP AND ONE SPLICE

MOUNTING:

- DUCT LINER PROVIDES MOUNTING POINTS FOR FACE
- HOLES INCLUDED IN BOTTOM OF FACE (SCREWS NOT INCLUDED)
- WALL HOOK INTEGRATED IN TOP OF FACE AND LINER

HYDRONIC FIN TUBE:

- HOT WATER ELEMENT BY OTHERS, MOUNTING BRACKET INCLUDED (CSH)
- HOT WATER ELEMENT INCLUDED (HW)
2 3/4" x 4 1/4" (70x108) FINNS, 3/4" (19) COPPER TUBE. PLUMBING LOCATION FOR FIN TUBE IS = NOM HEIGHT - 4 1/2" (114).
- 24" (610) LONG ELEMENT PER 24" (610) OR 30" (762) OR 36" (914) SIZES
- 48" (1219) LONG ELEMENT PER 48" (1219) OR 60" (1524) SIZES

FINISH:

- MILL FINISH BACK PLATE, DIVIDER, INNER PERF. BAFFLE
- B12 WHITE (OPTIONAL FINISHES AVAILABLE)

NOTES:

- FACTORY TOLERANCE +/- 1/16" (2) PER SECTION
- UNIT SHIPPED IN PIECES
- NO HARDWARE SHIPPED WITH UNIT
- ALL UNITS COME WITH INTERNAL BAFFLE
- SEE INSTALLATION MANUAL I100004 FOR SINGLE UNIT INSTALL
- SEE INSTALLATION MANUAL I100011 FOR MULTIPLE UNIT INSTALL

ALL METRIC DIMENSIONS () ARE SOFT CONVERTED. IMPERIAL DIMENSIONS ARE CONVERTED TO METRIC AND ROUNDED TO THE NEAREST MILLIMETER.

PROJECT:

ENGINEER:

CUSTOMER:

SUBMITTAL DATE:

SPEC. SYMBOL:



MJ
250210

**DLE-H
DISPLACEMENT
LINEAR ENCLOSURE
FOR HYDRONIC HEATING**

JULY 2016